

Accessories Tde Macno

User's Manual

Usb RS485-232 converter (374I00070V)

Cod. MA00101E00 V_1.1 (ex. MSMODE0010E0)



INDEX

| | | |
|-----|---|---|
| 1 | INSTALLATION DOCUMENTS | 2 |
| 2 | CONNECTIONS | 2 |
| 3 | LED DESCRIPTIONS | 2 |
| 4 | DIPSWITCH DESCRIPTIONS | 3 |
| 5 | SOLDER SWITCH | 3 |
| 6 | THE CONCEPT OF THE SISTEM..... | 3 |
| 6.1 | When a TX data as transmitted both the others ports receive that data | 3 |
| 7 | OPTION "MONITOR" | 4 |

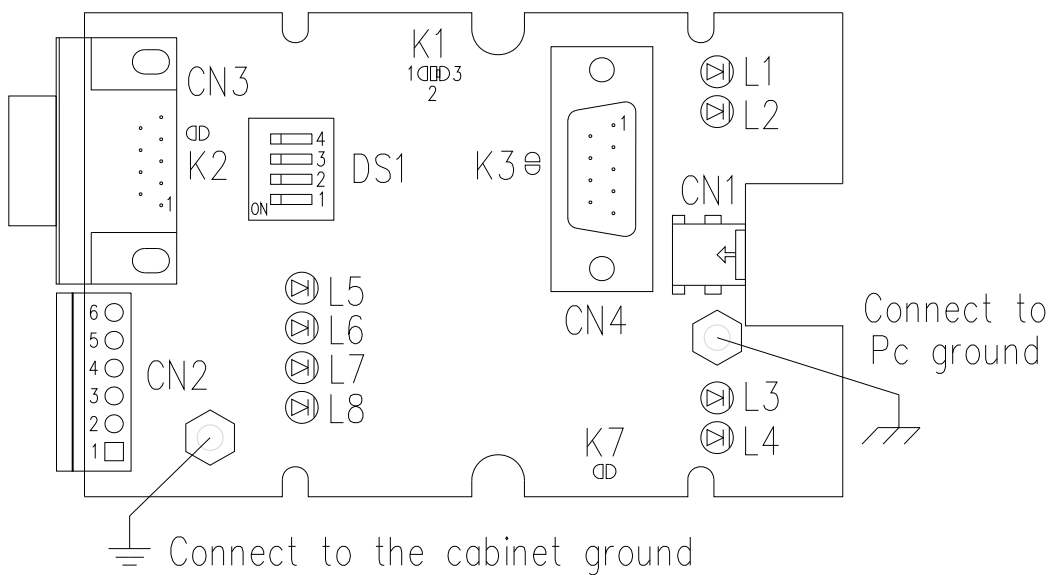
1 INSTALLATION DOCUMENTS

Follow this link: <http://www.ftdichip.com/Documents/InstallGuides.htm>

Drivers link: <http://www.ftdichip.com/Drivers/VCP.htm>

2 CONNECTIONS

| CN3 RS422/RS485 | CN2 RS422/RS485 | CN4 RS232 |
|--------------------|-----------------|--------------------------|
| 1: GNDExt | 1:+5Ext | 1:n.c. |
| 2: RX+ | 2: RX+ | 2:TX-232 |
| 3: TX+ | 3: RX- | 3:RX-232 |
| 4: K2=close Term - | 4: TX+ | 4:n.c. |
| 5: Term + | 5: TX- | 5:GNDExt |
| 6: RX- | 6: GNDExt | 6:n.c. |
| 7: TX- | | 7:n.c |
| 8: PROG pin | | 8:n.c |
| 9: Term -. | | 9:(opt "MONITOR"=RX-USB) |



3 LED DESCRIPTIONS

| LED | Descriptions |
|-----|------------------------------------|
| L1 | RX-RS232 |
| L2 | TX-RS232 (option "MONITOR"=RX-USB) |
| L3 | RX-USB |
| L4 | TX-USB |
| L5 | RX-RS422/RS485 |

| | |
|----|-----------------------|
| L6 | ENABLE TX-RS422/RS485 |
| L7 | TX-RS422/RS485 |
| L8 | POWER SUPPLIES +5VExt |

4 DIPSWITCH DESCRIPTIONS

| N.PIN | Descriptions |
|-------|---|
| 1 | PROG. -> On=Converter in program mode Off= terminal mode |
| 2 | Term+ ON = Term+ and PullUp on the rx+ line (only in the first and the last receivers) |
| 3 | ON = RS485 2wire OFF= RS422 4wire |
| 4 | Term- ON = Term- and PullDw on the rx- line (only in the first and the last receivers) |

Open/Close both dip2 and dip4 together for bus termination.

Be carefull do not leave the floating potential GNDExt but fix it on the ground in just only one point.

5 SOLDER SWITCH

| Solder switch monitor options | Default = RS232 | Monitor options |
|-------------------------------|----------------------|-----------------------|
| K1 | 1-2 Closed / 2-3Open | 1-2 Open / 2-3 Closed |
| K3 | | Closed |

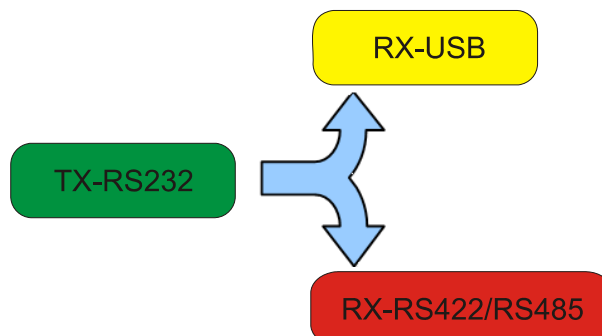
| Solder switch | Descriptions |
|---------------|--|
| K2 | Close only for compatibility with old OPD |
| K7 | Power supplies from USB when use RS232 to RS422 without USB initialization/use |

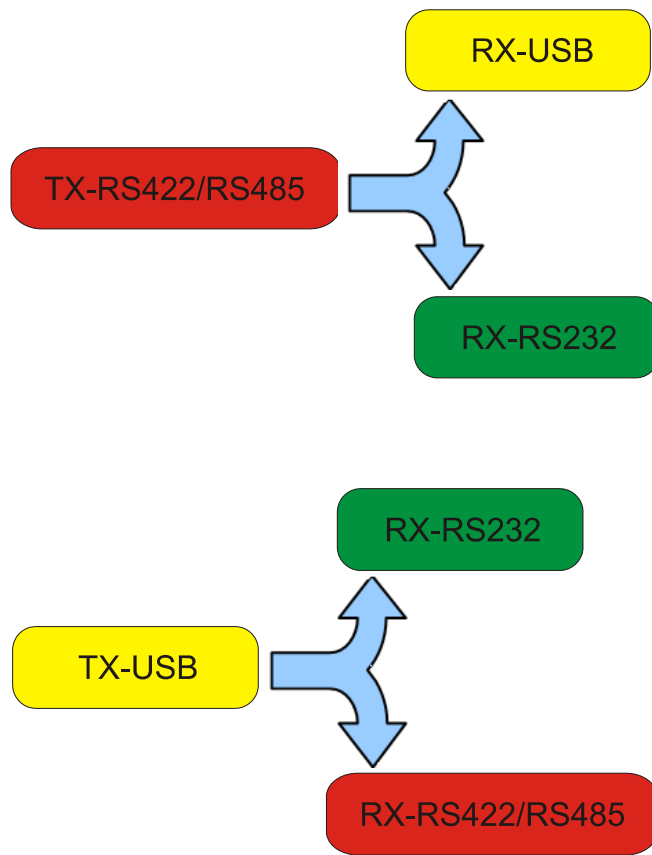
6 THE CONCEPT OF THE SISTEM

6.1 WHEN A TX DATA AS TRANSMITTED BOTH THE OTHERS PORTS RECEIVE THAT DATA

These three examples show the relationship between the sender and who receivers.

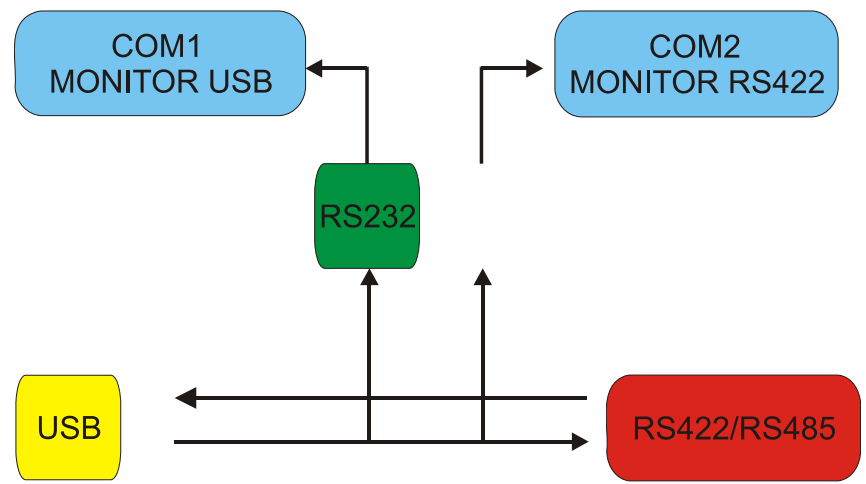
If we don't use the USB connector the converter need an external 5V on USB connector or from the pin1-6 of CN2.It is possible to use a normal USB power supplies on the USB cable but the internal K7 solder switch must be close.





7 OPTION "MONITOR"

The "Monitor" option allows to receive on the RS232 pin2 connector the data transmitted from the RS485 and, on the pin9, the data from USB. To do this, please close K3 and open (with a cutter) the short circuit K1 (1-2) and closed K1 (2-3).



TDE MACNO
s.p.a. tecnologie digitali elettroniche

Via dell'Oreficeria, 41
36100 Vicenza - Italy
Tel +39 0444 343555
Fax +39 0444 343509
www.tdemacno.com