

ELECTRICAL DRAWING

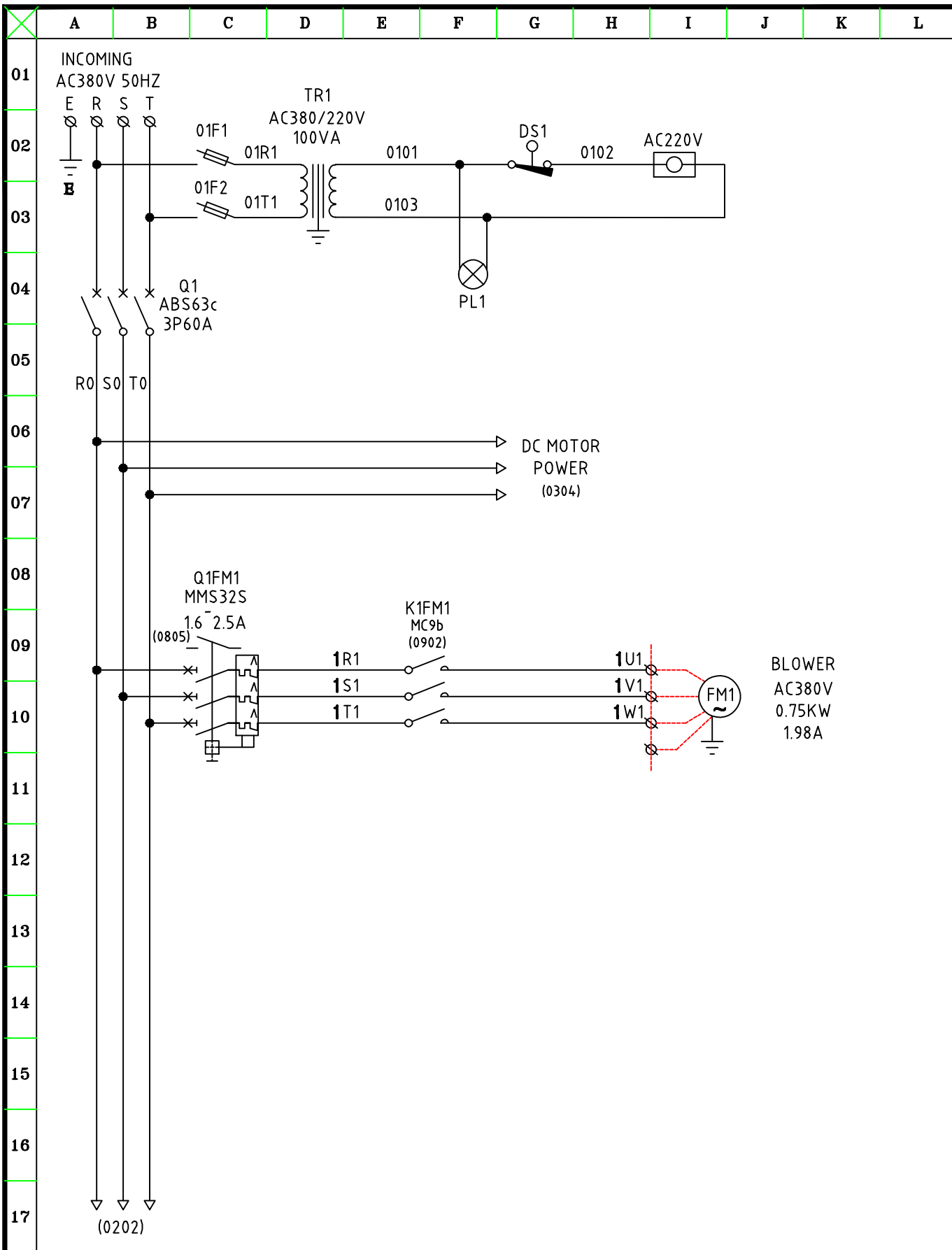
CUSTOMER	VAZL IN RUSSIA
PLANT	63.5mm MILL LINE ROTARY ACCUMULATOR
DATE	2012. 07. 03



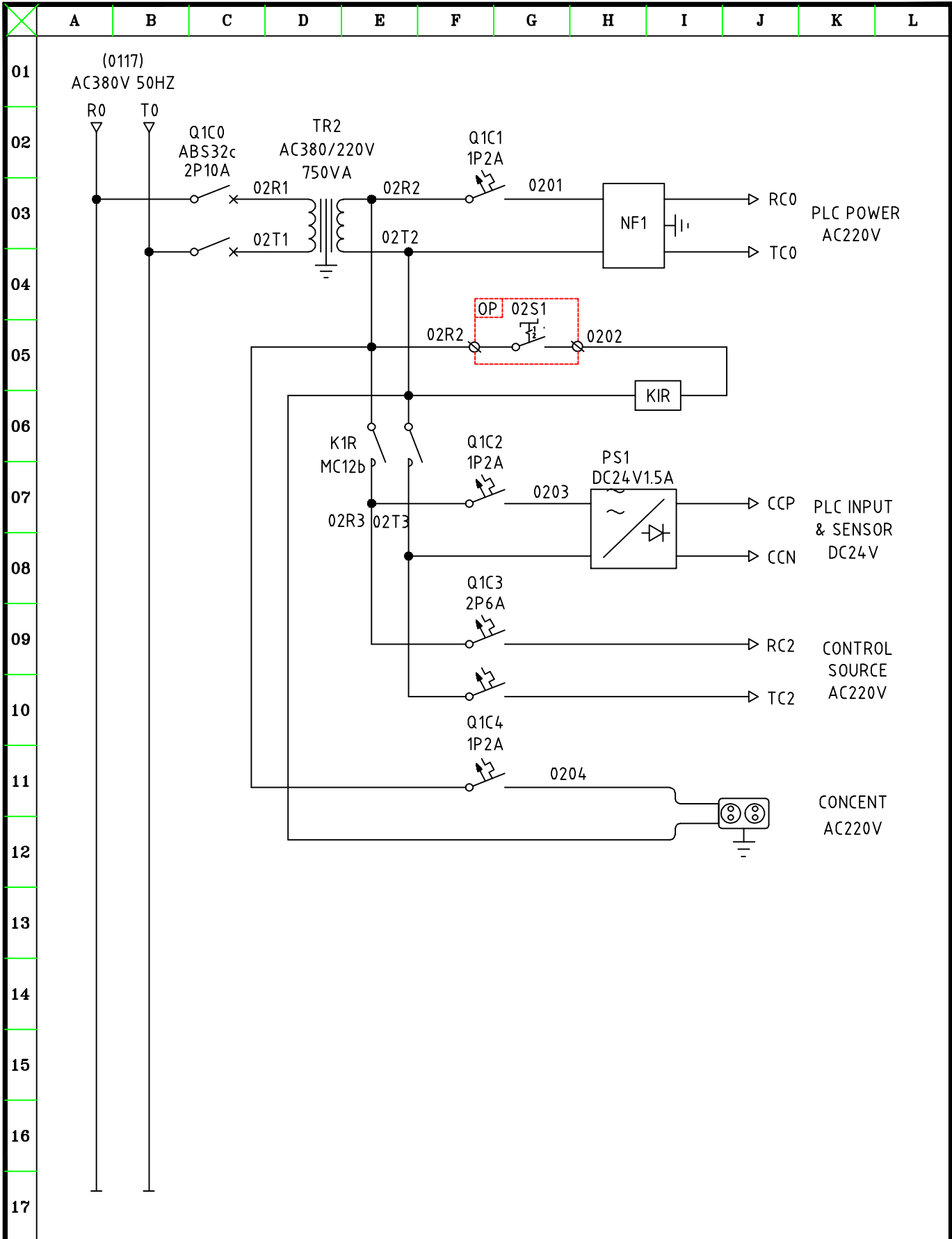
DMC Tech. corporation


SEOUL, KOREA

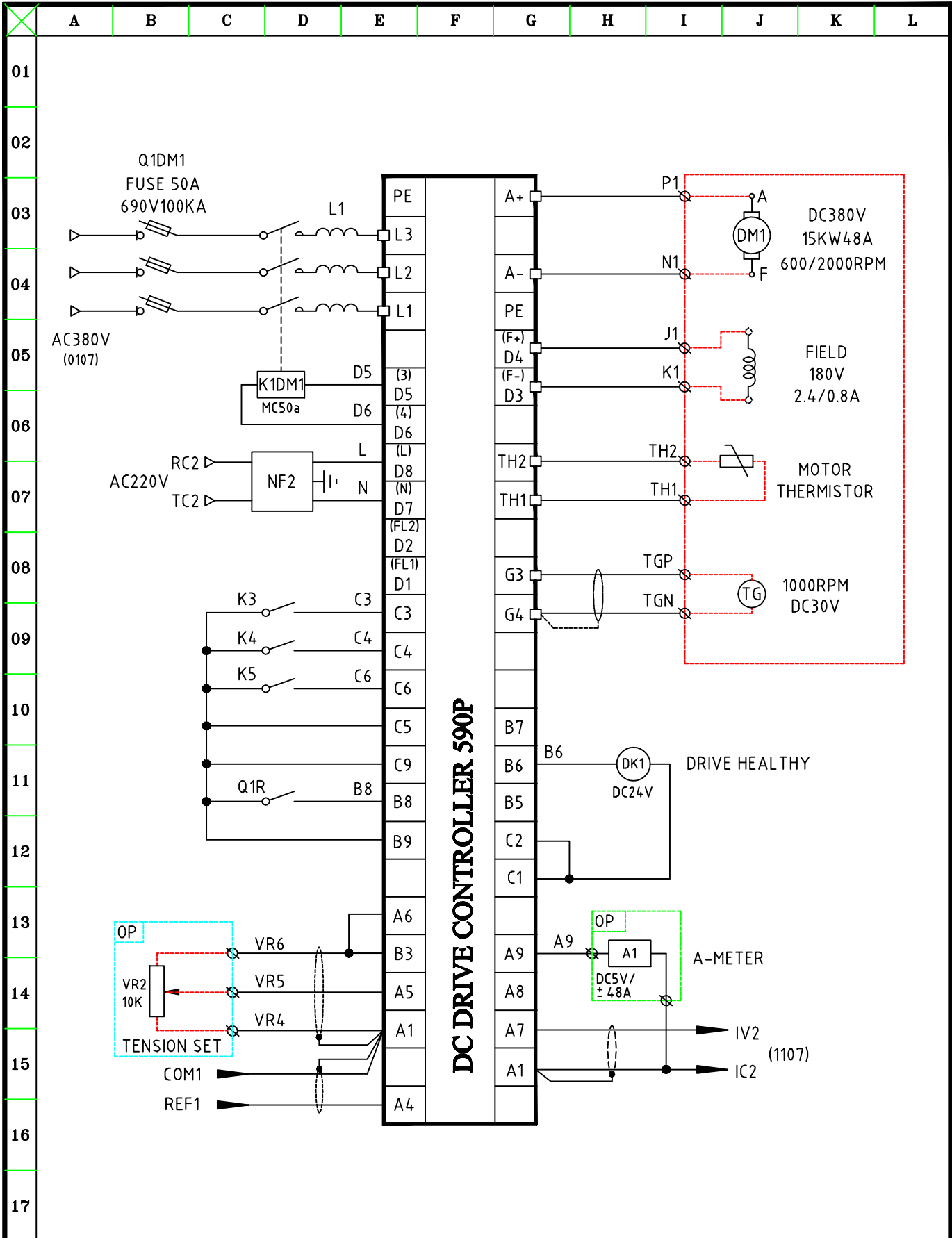
U R L : <http://dmctech.net> e-mail : sh-soon@nmail.net



						TITLE 63.5mm ACCUMULATOR POWER	
						DMC Tech. corporation SEOUL KOREA U R L : http://dmctech.net e-mail : ah-soon@hanmail.net	
REV	DATE	DESCRIPTION	CHK' ED	REV' ED	REMARK	SCALE	JOB NO.
DESIGNED BY S.H.BYUN		APPROVED BY		DATE 2012. 01. 05			DRAWING NO. VAZLa63-1205-01



△						TITLE	63.5mm ACCUMULATOR POWER				
△						 DMC Tech. corporation SEOUL KOREA URL : http://dmctech.net e-mail : sh-soon@nmail.net					
△											
REV	DATE	DESCRIPTION	CHK' ED	REV' ED	REMARK	SCALE	JOB NO.	DRAWING NO.			
		DESIGNED BY S.H.BYUN	APPROVED BY	DATE 2012. 01. 05							DRAWING NO. VAZLa63-1205-02



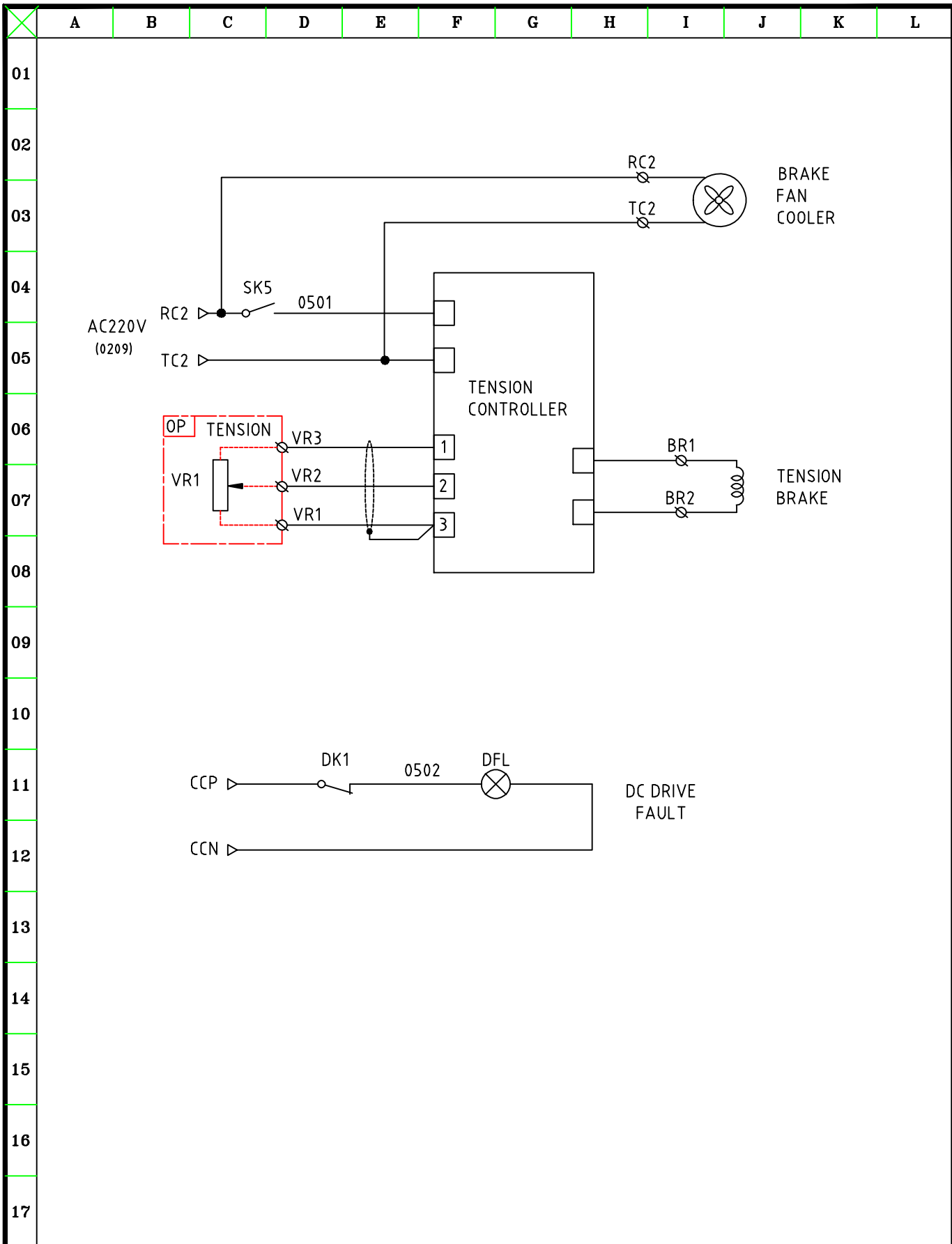
DC DRIVE CONTROLLER 590P


△					
△					
△					
REV	DATE	DESCRIPTION	CHK'ED	REV'ED	REMARK
DESIGNED BY S.H.BYUN		APPROVED BY	DATE 2012. 01. 05	SCALE	JOB NO.

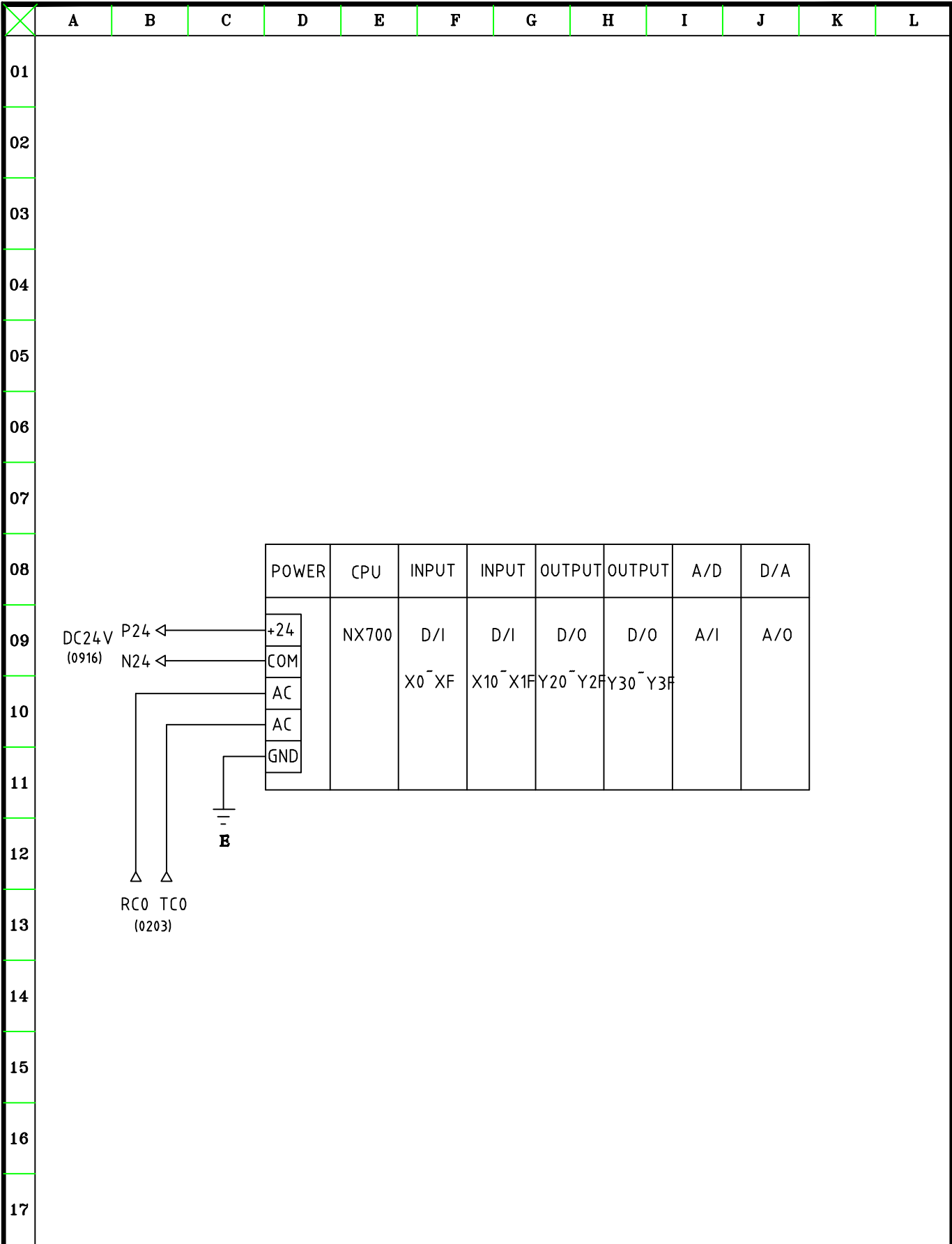
TITLE 63.5mm ACCUMULATOR DC DRIVE

DMC DMC Tech. corporation
 SEOUL KOREA
 URL : <http://dmctech.net> e-mail : sh-soon@hanmail.net

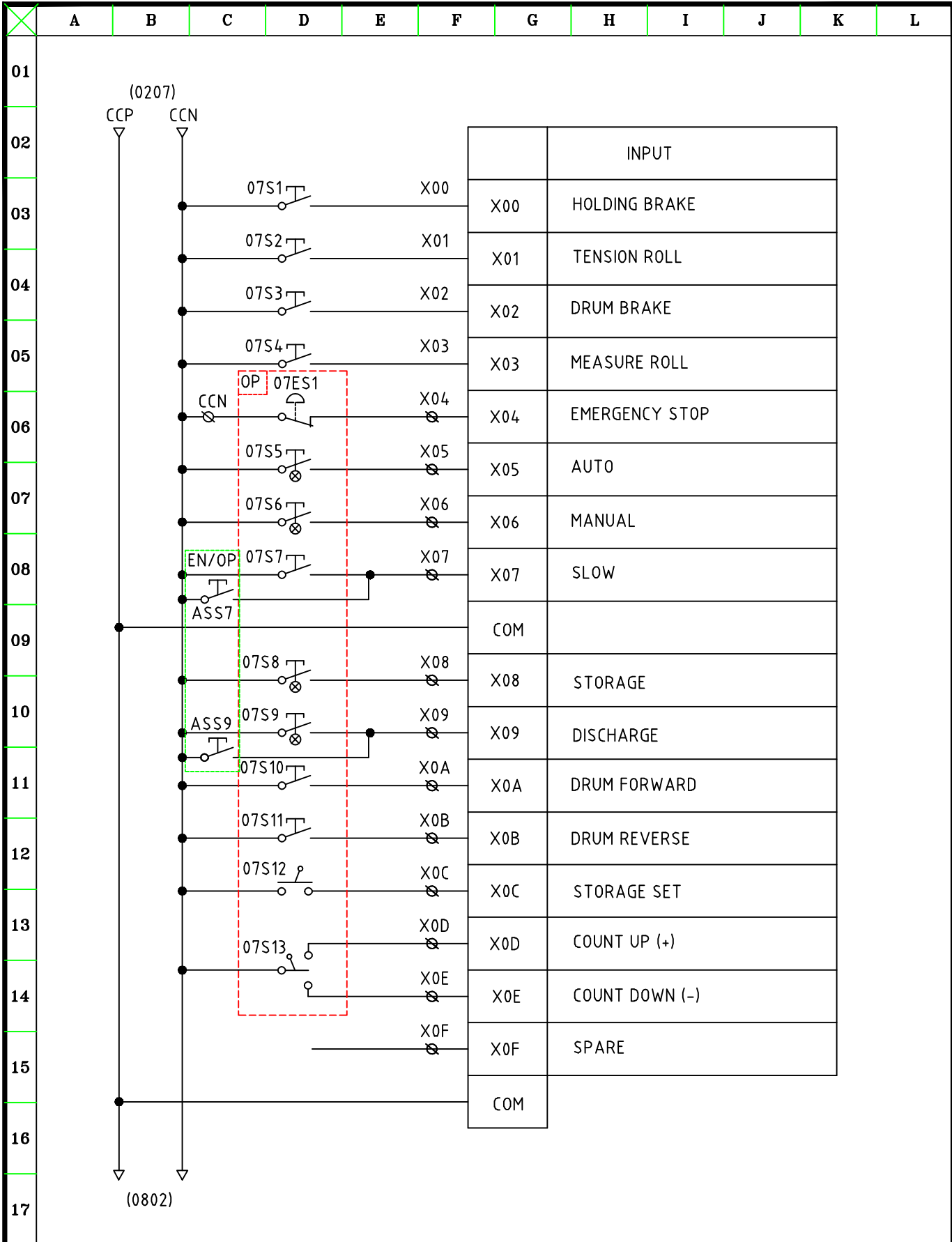
SCALE JOB NO. DRAWING NO. **VAZLa63-1205-03**




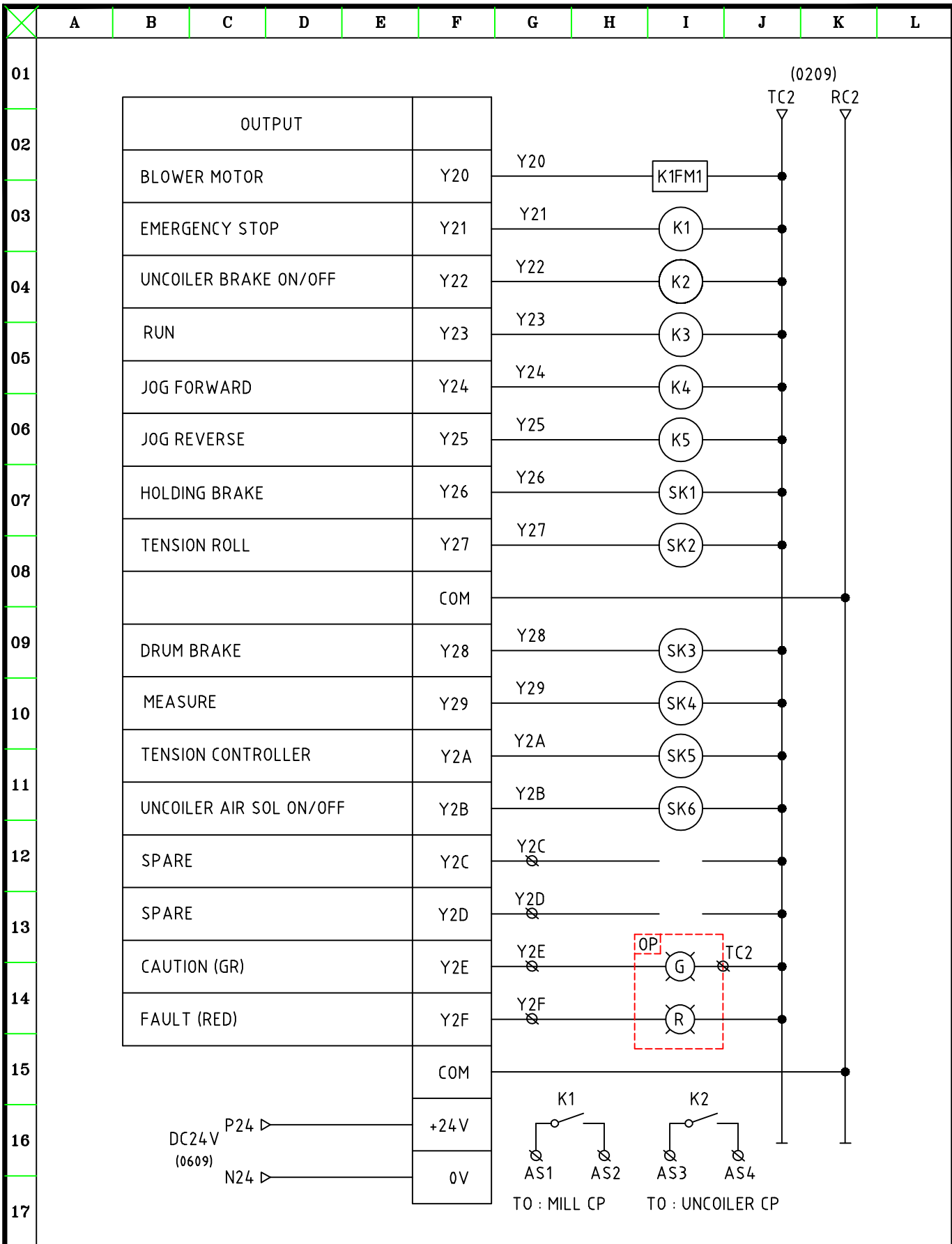
						TITLE 63.5mm ACCUMULATOR TENSION CONT					
						 DMC Tech. corporation SEOUL KOREA URL : http://dmctech.net e-mail : sh-soon@hanmail.net					
REV	DATE	DESCRIPTION	CHEK'ED	REV'ED	REMARK						
DESIGNED BY	APPROVED BY	DATE	SCALE	JOB NO.	DRAWING NO.						
S.H.BYUN		2012. 01. 05			VAZLa63-1205-05						



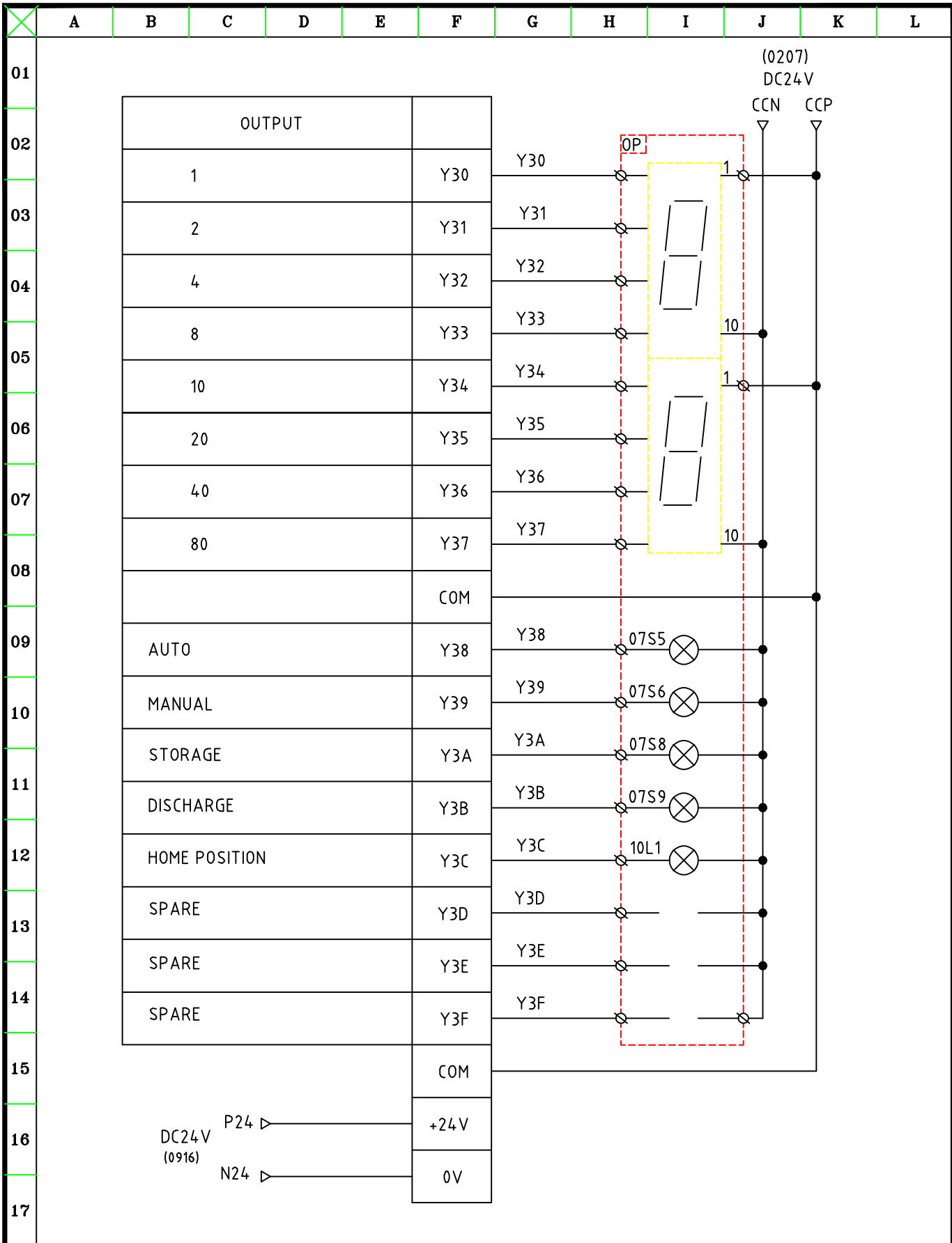
△						TITLE ACCUMULATOR PLC CONFIGURATION							
△						DMC Tech. corporation SEOUL KOREA URL : http://dmctech.net e-mail : ah-aoon@naver.com							
△													
REV	DATE	DESCRIPTION			CHK' ED	REV' ED	REMARK						
		DESIGNED BY S.H.BYUN			APPROVED BY		DATE 2012. 01. 05	SCALE	JOB NO.	DRAWING NO.		VAZLa63-1205-06	



△						TITLE 63.5mm ACCUMULATOR PLC INPUT	
△						 DMC Tech. corporation SEOUL KOREA URL : http://dmctech.net e-mail : sh-soon@nmail.net	
△							
REV	DATE	DESCRIPTION	CHK' ED	REV' ED	REMARK	SCALE	JOB NO.
DESIGNED BY S.H.BYUN		APPROVED BY		DATE 2012. 01. 05			DRAWING NO. VAZLa63-1205-07

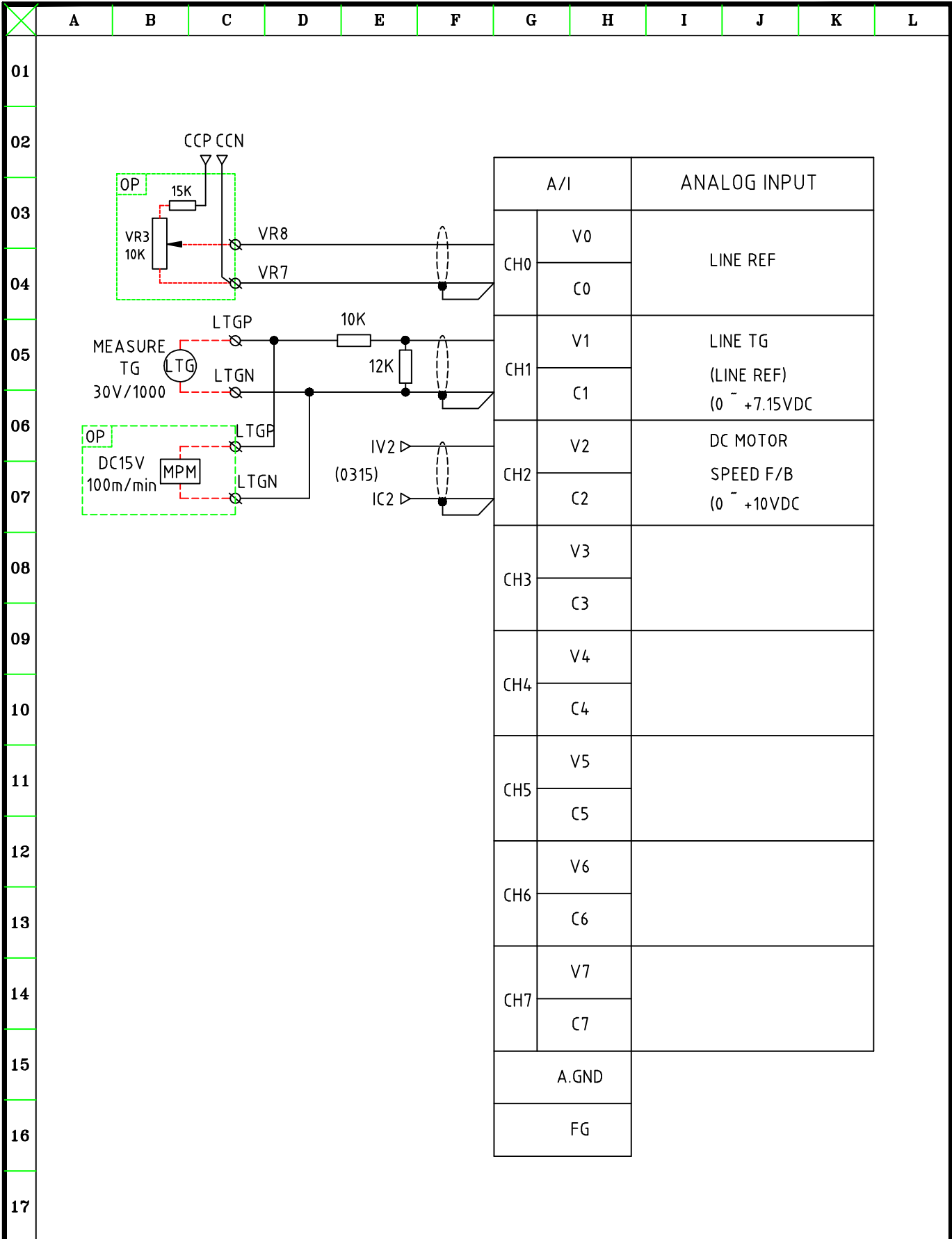



△					TITLE 63.5mm ACCUMULATOR PLC OUTPUT							
△					DMC Tech. corporation SEOUL KOREA URL : http://dmctech.net e-mail : sh-soon@nmail.net							
△												
REV	DATE	DESCRIPTION	CHEK'ED	REV'ED	REMARK	SCALE	JOB NO.	DRAWING NO.				
DESIGNED BY		APPROVED BY		DATE		SCALE		JOB NO.		DRAWING NO.		
S.H.BYUN				2012. 01. 05						VAZLa63-1205-09		



△																	
△																	
△																	
REV	DATE	DESCRIPTION	CHK'ED	REV'ED	REMARK	TITLE 63.5mm ACCUMULATOR PLC OUTPUT											
DESIGNED BY S.H.BYUN						APPROVED BY						DATE 2012. 01. 05		SCALE	JOB NO.	DRAWING NO.	VAZLa63-1205-10

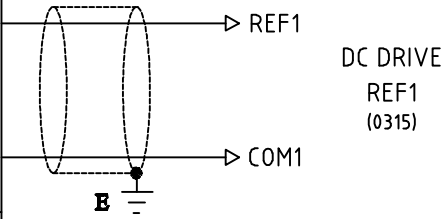

DMC Tech. corporation
 SEOUL KOREA
 URL : <http://dmctech.net> e-mail : ah-soon@nmail.net



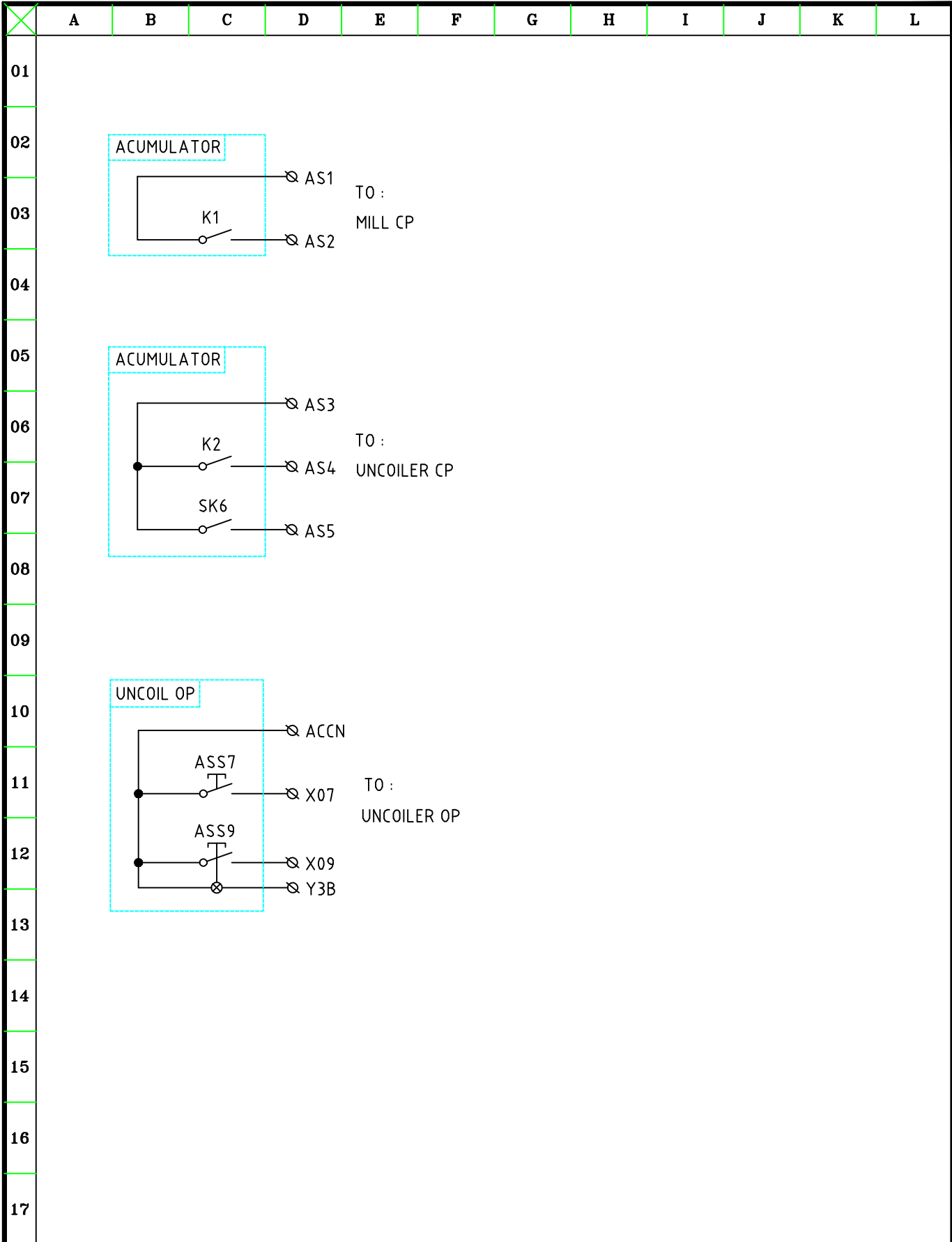
△						TITLE 63.5mm PLC ANALOG INPUT					
△						 DMC Tech. corporation SEOUL KOREA URL : http://dmcotech.net e-mail : sh-socn@nmail.net					
△											
REV	DATE	DESCRIPTION	CHEK ED	REV ED	REMARK	DESIGNED BY	APPROVED BY	DATE	SCALE	JOB NO.	DRAWING NO.
						S.H.BYUN		2012. 01. 05			VAZL63-1205-11

	A	B	C	D	E	F	G	H	I	J	K	L
01												
02												
03												
04												
05												
06												
07												
08												
09												
10												
11												
12												
13												
14												
15												
16												
17												

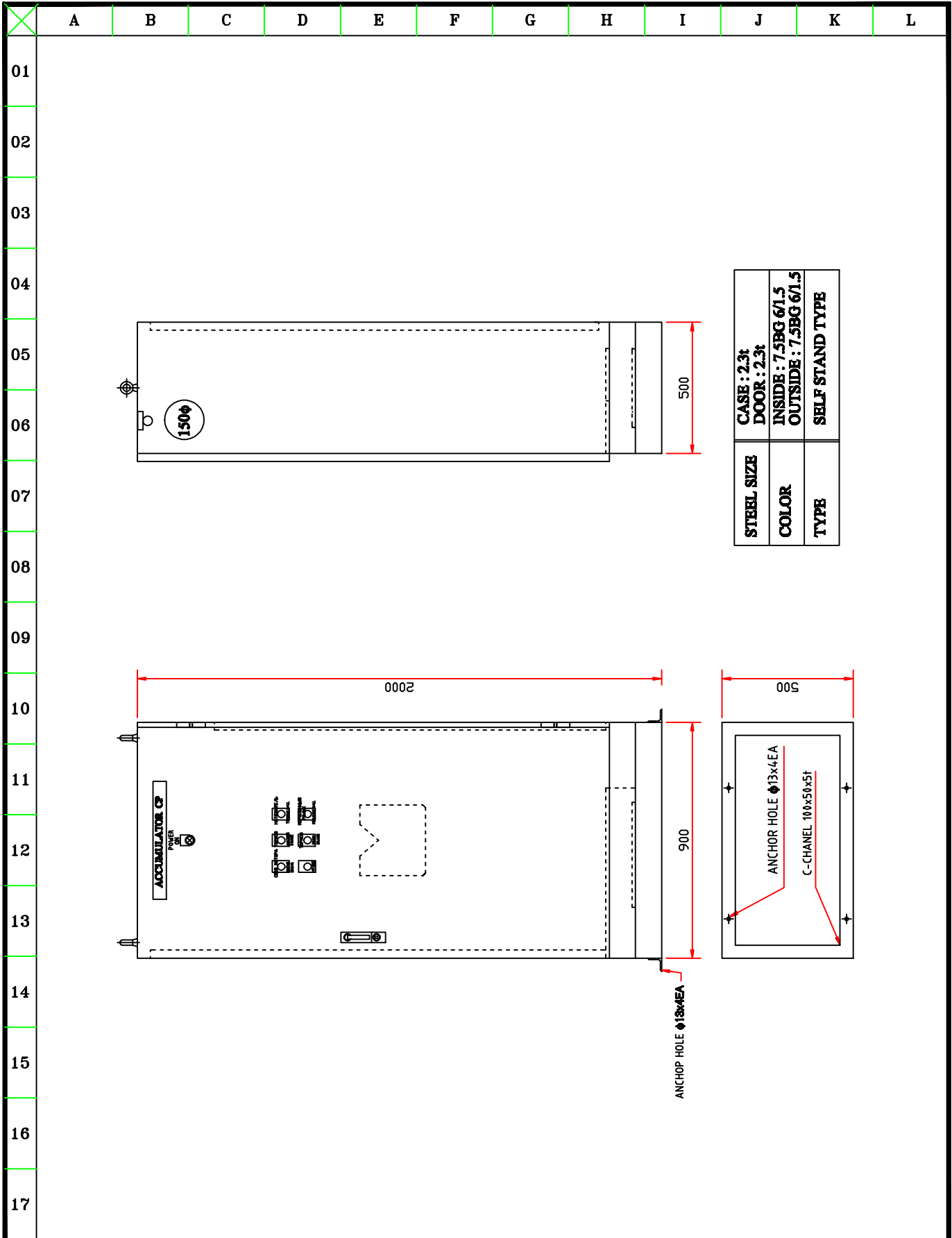
ANALOG OUTPUT		A/O	
DC DRIVE REF (+/-10VDC)	V0	CH0	
	C0		
	V1	CH1	
	C1		
	V2	CH2	
	C2		
	V3	CH3	
	C3		
		A.GND	
		FG	



△						TITLE 63.5mm PLC ANALOG OUTPUT					
△						DMC Tech. corporation SEOUL KOREA U R L : http://dmctech.net e-mail : ah-soon@hanmail.net					
△											
REV	DATE	DESCRIPTION	CHEK'ED	REV'ED	REMARK	SCALE	JOB NO.	DRAWING NO.			
DESIGNED BY S.H.BYUN		APPROVED BY		DATE 2012. 01. 05				DRAWING NO. VAZLs63-1205-12			



△						TITLE	63.5mm ACCUMULATOR INTERLOCK					
△						DMC Tech. corporation SEOUL KOREA URL : http://dmctech.net e-mail : sh-soon@nmail.net						
△												
REV	DATE	DESCRIPTION			CHEK'ED		REV'ED	REMARK				
DESIGNED BY		APPROVED BY		DATE			SCALE	JOB NO.	DRAWING NO.			
S.H.BYUN				2012. 01. 05					VAZLa63-1205-13			

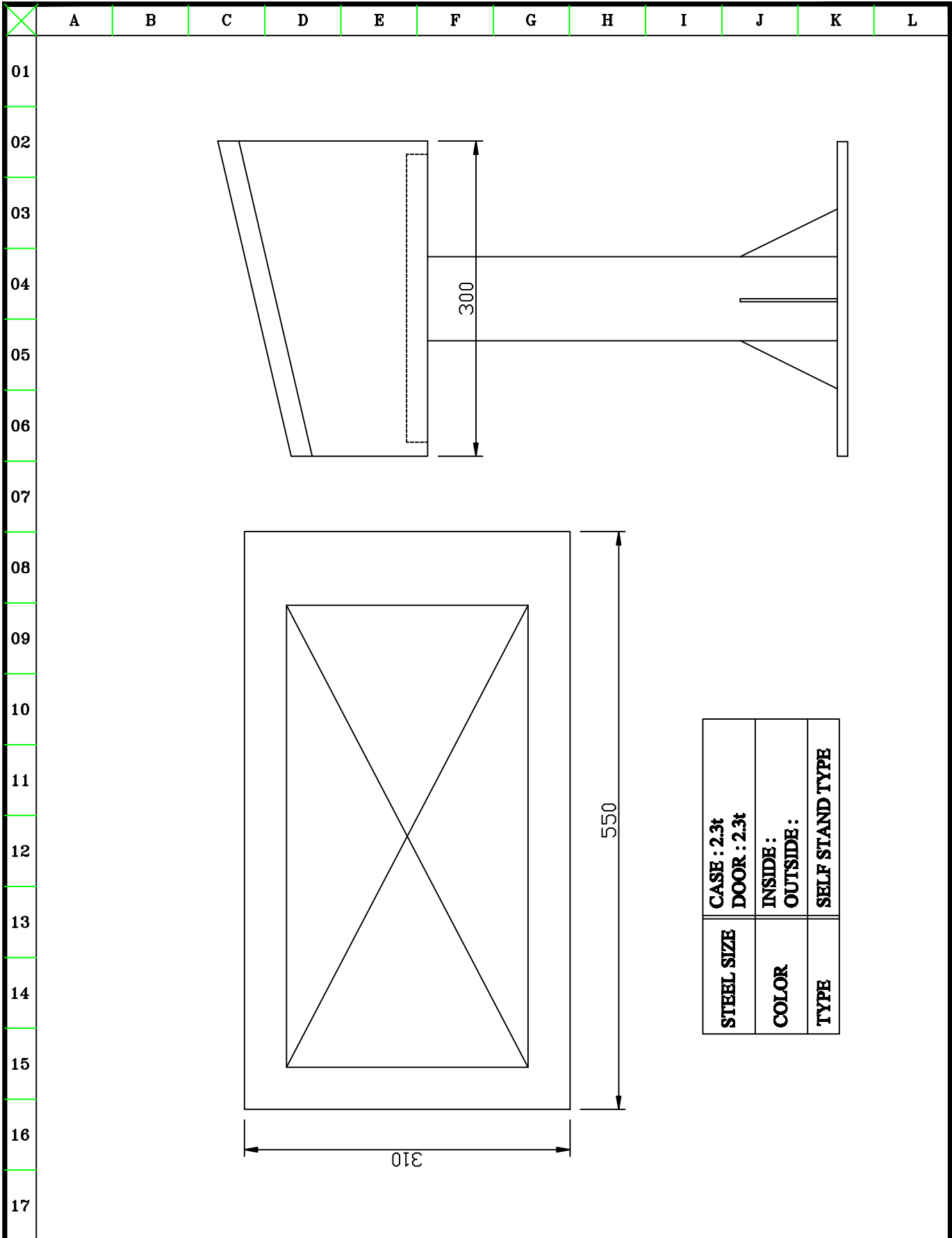


STEEL SIZE	CASE : 2.3t
COLOR	DOOR : 2.3t
TYPE	INSIDE : 7.5BG 6/1.5
	OUTSIDE : 7.5BG 6/1.5
	SELF STAND TYPE


△					
△					
△					
REV	DATE	DESCRIPTION	CHEK'ED	REV'ED	REMARK
DESIGNED BY	APPROVED BY	DATE	SCALE	JOB NO.	DRAWING NO.
S.H.BYUN		2012. 01. 05	1/20		VAZLa63-1205-CP

TITLE 63.5mm ACCUMULATOR CONTROL P/L

DMC **DMC Tech. corporation**
 SEOUL KOREA
 URL : <http://dmctech.net> e-mail : ah-soon@hanmail.net



CASE : 2.3t	STEEL SIZE
DOOR : 2.3t	COLOR
INSIDE : OUTSIDE :	TYPE
SELF STAND TYPE	

TITLE 51.0mm ACCUMULATOR OP					
 DMC Tech. corporation SEOUL KOREA URL : http://dmcotech.net e-mail : ah-soon@nmail.net					
REV	DATE	DESCRIPTION	CHK'ED	REV'ED	REMARK
DESIGNED BY	APPROVED BY	DATE	SCALE	JOB NO.	DRAWING NO.
S.H.BYUN		2012. 01. 05	1/5		PPPa51-1302-OP1A