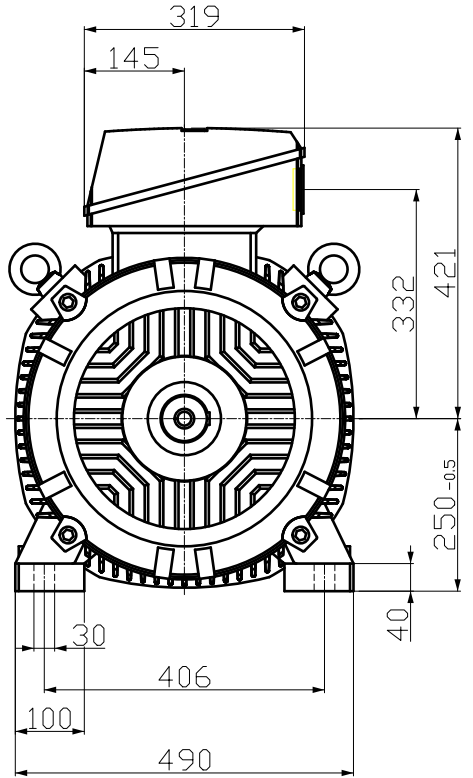
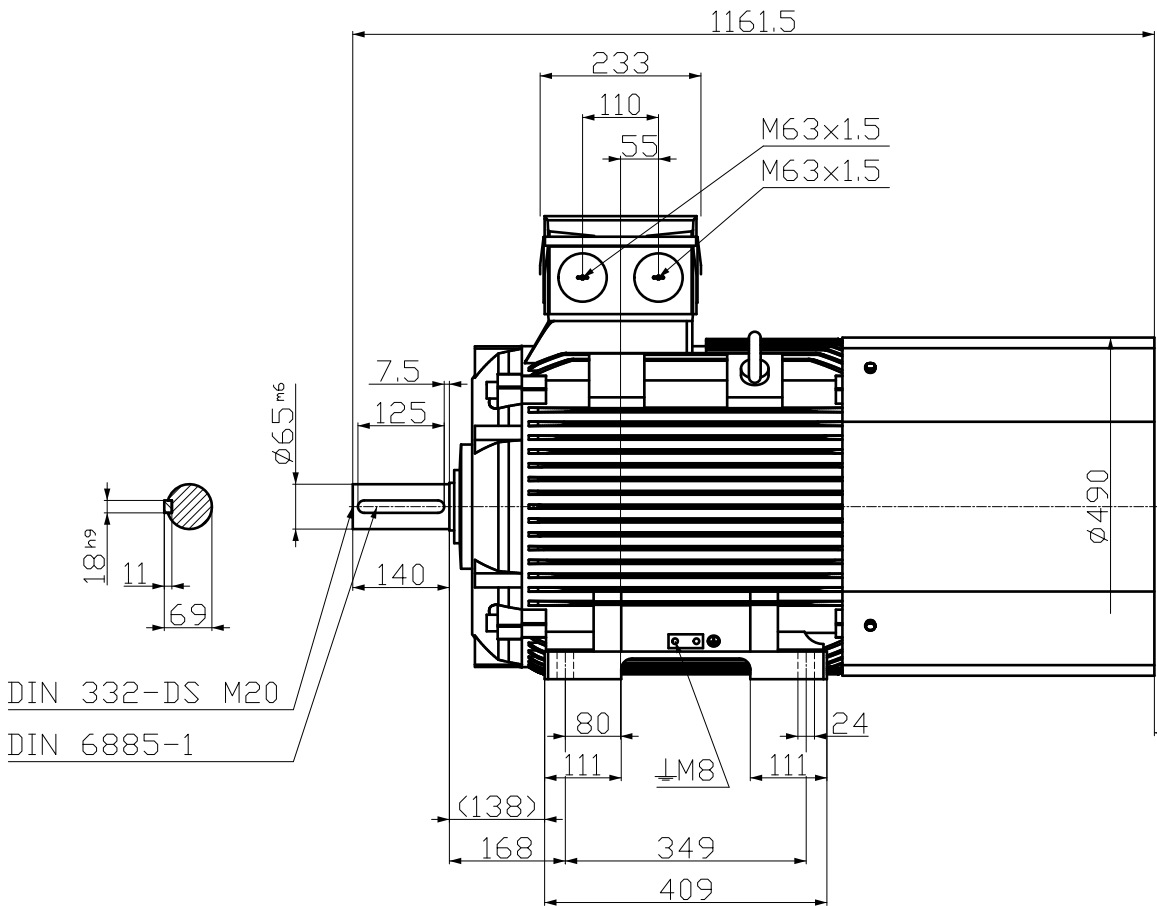


刀线管
 用文全
 图
 积
 01
 02
 03
 04
 05
 06
 07
 08
 09
 10
 11
 12
 13
 14
 15
 16
 17
 18
 19
 20
 21
 22
 23
 24
 25
 26
 27
 28
 29
 30
 31
 32
 33
 34
 35
 36
 37
 38
 39
 40
 41
 42
 43
 44
 45
 46
 47
 48
 49
 50
 51
 52
 53
 54
 55
 56
 57
 58
 59
 60
 61
 62
 63
 64
 65
 66
 67
 68
 69
 70
 71
 72
 73
 74
 75
 76
 77
 78
 79
 80
 81
 82
 83
 84
 85
 86
 87
 88
 89
 90
 91
 92
 93
 94
 95
 96
 97
 98
 99
 100



DIN 332-DS M20
 DIN 6885-1

| Tolerance | Surface | Material | Weight | Scale |
|--------------------------------------|--|--------------------------------|-----------------|-----------------|
| F501 í el E00000000 E2 00E00FF00F | Author Creator G P GDECI UÜÜ Approval Ö: ^æ: á/æ q { ææææ Department Ö ÅSXT | Öä ^)•ä }æ/æ ä* T æ: ^æ@ }* | E | { { |
| | Change Order | MLFB | Doc Type | / |
| | Doc. State Ü^ ^æ ^á | Item No | Paper Size | CH |
| | Revision ÖEE Index RS | Doc No | 1st Language ^) | 2nd Language ä^ |
| © Innomotics 2024 | Project No E | Ref No E | Sheet | F of F |

V&@ a&@ ^) a^) * ^) A [i a ^ @ a ^) A
 V&@ B a ^ a a a a ^ A ^ a b ^ a ^ A & @ a ^ ^ A