



Technical specification: **133508**

Specifica tecnica:

Drawing Code: DT01

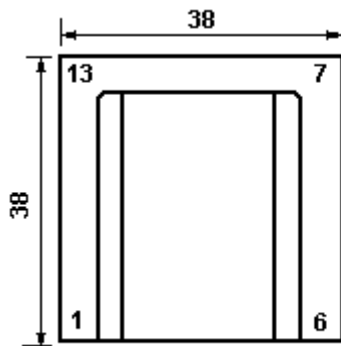
Codice Disegno:

Sheet: 1/1

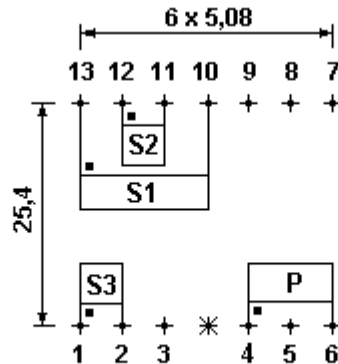
Foglio:

Transformer

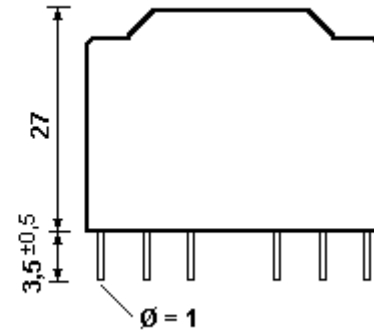
www.sirio-ic.com



Top view - Vista dall'alto



Drilling pattern - Piano di foratura



Values in mm – Misure espresse in mm

Preliminary

Rated output current Corrente nominale d'uscita	2 A
Input voltage Tensione di ingresso	220 Vdc
Rated power Potenza nominale	0.03 kW
Working frequency Frequenza di lavoro	25 kHz
Core Nucleo	ferrite
Ware Merce	copper

Typical application of the transformers shown above is a chargin unit for automobile battery, uninterruptible power supplies for personal computers and household welding machine.

SIRIO ELETTRONICA s.r.l.
Via Selve. 2
35083 BRESSEO (PD)
c. f. e p. IVA 01406410280